



## Bettair® Static Node (MK2.5)

Maintenance Manual

## Contents

Introduction .....	3
Cartridge replacement .....	3
About Bettair Cities .....	5

## Introduction

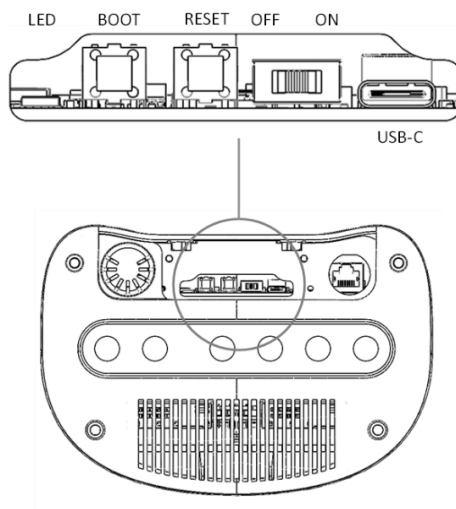
This document details the different procedure to maintain the bettair® node in proper working conditions. Following these maintenance indications will enlarge the lifetime of the node.

## Cartridge replacement

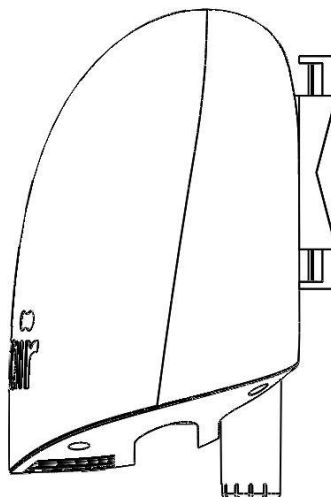
Due the internal chemical nature of the gas sensors, as the pollutants tend to “deteriorate” them, approximately every two years the sensor cartridge needs to be replaced. Within this period, no other intervention is required.

To replace them, follow the next steps:

- Turn off and disconnect node

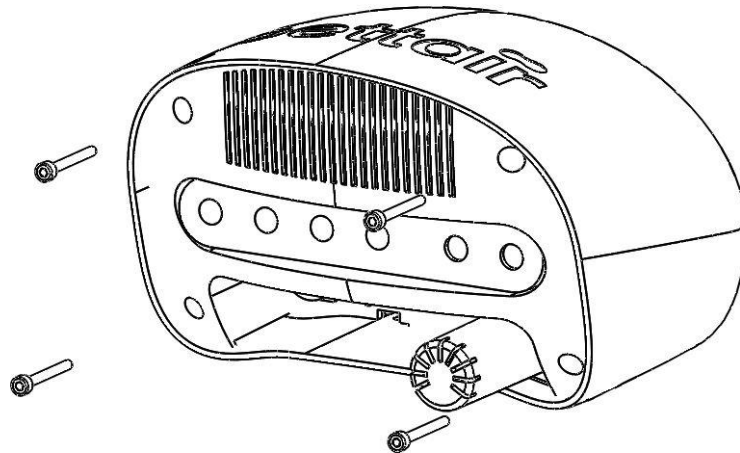


*Bottom View*



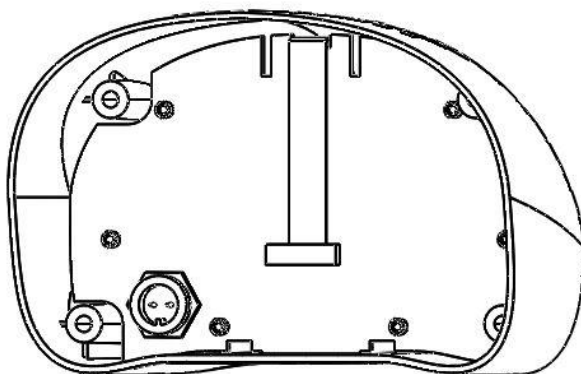
*Side view*

- Remove from site
- Remove current cartridge, unlocking the 4xM4 screws

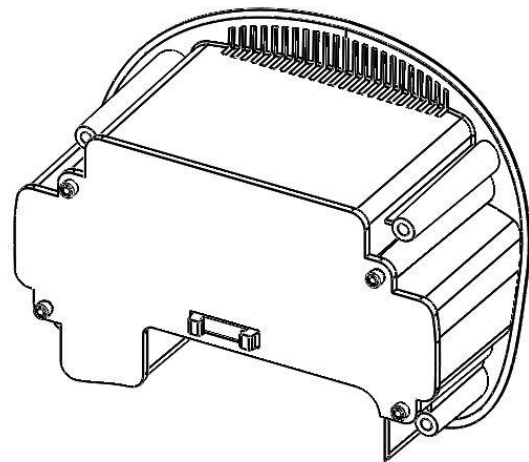


*Disassemble cartridge*

- Disconnect flat cable from current cartridge. Left it in the main body



*Main body (left flat cable here)*



*Cartridge*

- Connect flat cable again, now connecting the new cartridge
- Close the whole enclosure again with the 4xM4 screws
- Put again on installation site
- Connect and turn on again

## About Bettair Cities

Bettair is a Platform as a Service (PaaS) that permits, for the first time, to map air pollution in cities on a previously unimaginable scale based on a large deployment of outstandingly accurate gas sensors by using an advanced post-processing algorithm. This information allows applying appropriate urban plans for enhancing air quality and to make smart and better decisions to mitigate air pollution. Bettair is a network of autonomous devices that are installed in streetlights (or in city furniture) in a dense matrix distanced between 0.5÷1 km allowing a high spatial and temporal resolution.

<https://bettaircities.com/>

<b>Title</b>	Bettair® static node (MK2.5) – Maintenance Manual	
<b>Document type</b>	User procedure	
<b>Document number</b>		
<b>Revision and date</b>	V1.0	2021/11/10

Bettair Cities reserves all rights to this document and the information contained herein. Products, names, logos and designs described herein may in whole or in part be subject to intellectual property rights. Reproduction, use, modification or disclosure to third parties of this document or any part thereof without the express permission of Bettair is strictly prohibited.

The information contained herein is provided “as is” and Bettair assumes no liability for the use of the information. No warranty, either express or implied, is given with respect to, including but not limited to, the accuracy, correctness, reliability and fitness for a particular purpose of the information. This document may be revised by Bettair at any time.

Copyright © 2021, Bettair Cities S.L